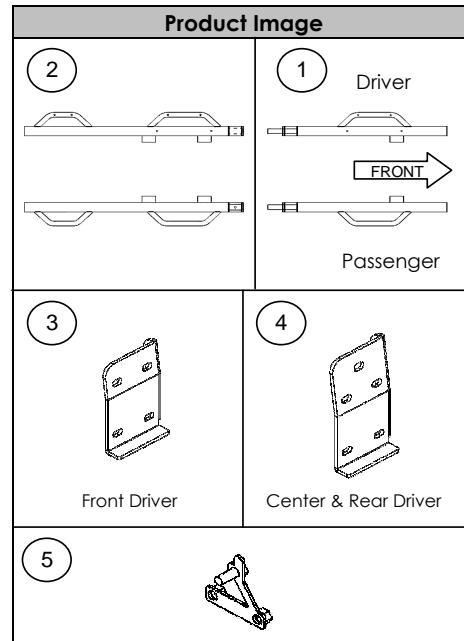


Parts List				
Item	Qty.	Code	Description	Max. Torque
1	1 Set	347FD1-2/FP1-2	Side Step Front Section Driver & Passenger	-
2	1 Set	347RD1-2/RP1-2	Side Step Rear Section Driver & Passenger	-
1		D36247TK	HARDWARE BRACKETS KIT INCLUDES:	-
3	1 Set	D09	Front bracket	-
4	2 Set	D07	Center & Rear bracket	-
5	6 Piece	372240BA	3/8" Bolt plate	30 Lb.Ft
1		KTE-D36247	HARDWARE BOLTS KIT INCLUDES:	-
6	12 Piece	-	M8 x 25mm Hex head bolt	30 Lb.Ft
7	12 Piece	-	5/16" Flat washer	-
8	12 Piece	-	5/16" Lock washer	-
9	24 Piece	-	3/8 x 1 1/4" Hex head bolt	30 Lb.Ft
10	16 Piece	-	3/8" hex nut	30 Lb.Ft
11	40 Piece	-	3/8" Flat washer	-
12	28 Piece	-	3/8" Lock washer	-
13	6 Piece	-	Vinyl Gasket	-
1		KTE- G6000MK	HARDWARE MODULAR KIT INCLUDES:	-
14	2 Piece	-	3/8 x 3/4" Allen Head Set Screw	11 Lb.Ft
15	2 Piece	-	Trim Ring Dom III	-
16	2 Piece	-	Plastic cap	-

Required Tools (Not included)	
Qty.	Description
1	13mm - 9/16" Socket & Wrench
1	3/16" Hex Key
1	Ratchet
1	Ratchet extension



Instructions

Do not attempt to install this product on any vehicle other than the one it is designed for and listed above!

1. Before beginning the installation, please read all directions carefully and verify that all necessary hardware is accounted for. If any parts are missing, stop the installation and contact your distributor immediately.
2. To maintain and care this product, keep it clean and do not use abrasive cleaners or polish waxes. We recommend to use only automotive wax such as pure carnauba to avoid scratches and rust.
3. The approximate installation time is 60 min.
4. This installation uses 3 brackets per side, (Photo 1).

PHOTO 1

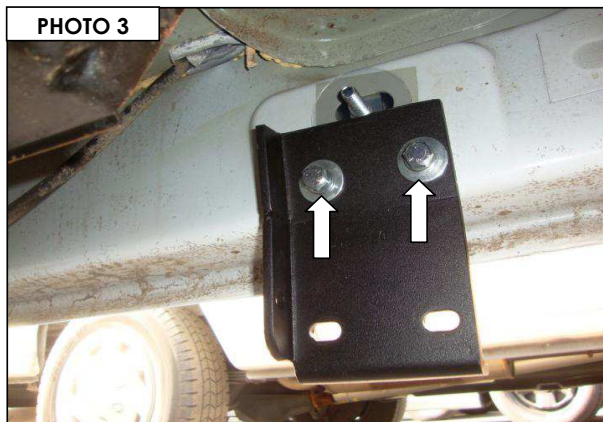
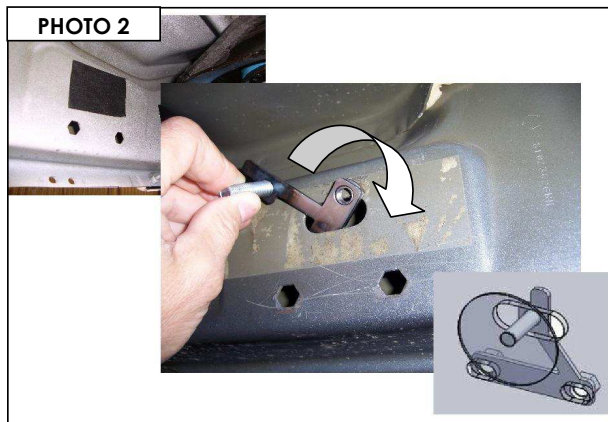


FRONT BRACKET CENTER BRACKET REAR BRACKET

Front Bracket.

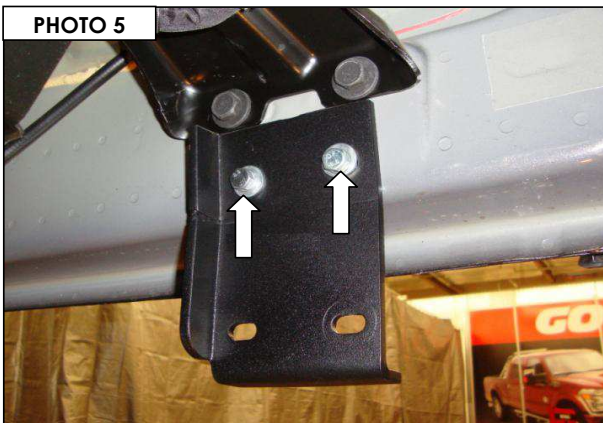
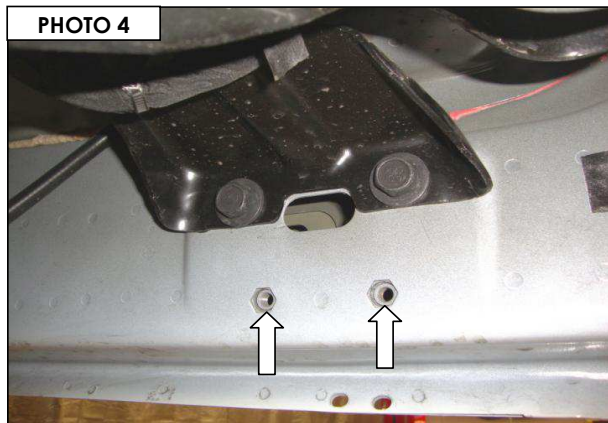
5. Begin the installation on the driver side of the vehicle.

6. If the vehicle has (2) hexagon shaped holes in the rocker panel at the front of the cab, remove the tape covering the obround hole in the rocker panel, and install (1) 3/8" T-Plate in the rocker panel and install (1) vinyl gasket over the threads to prevent the T-Plate from falling into the body, **(Photo 2)**. Align the nuts welded to the T-Plate with the hexagon holes in the rocker panel and attach the driver side front bracket to the rocker panel using the T-Plate, (2) 3/8" X 1 1/4" hex bolts, (2) 3/8" flat washers and (2) 3/8" lock washers, **(Photo 3)**. Leave the bolts loose for final adjustment.



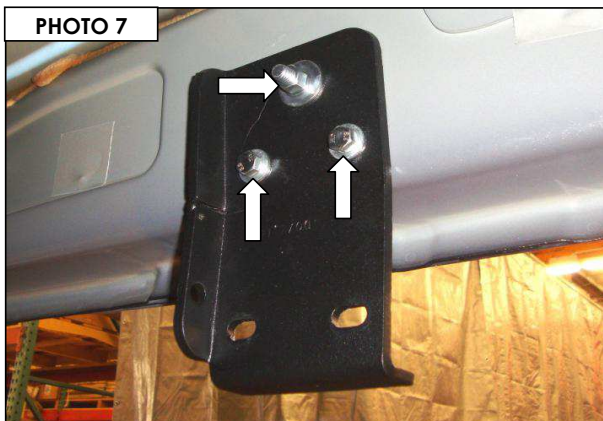
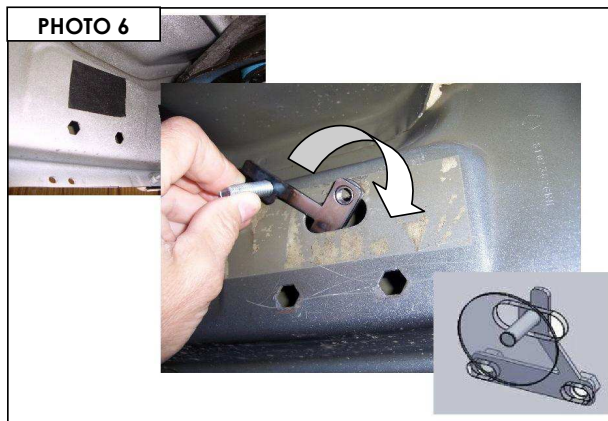
Front Bracket

7. If the vehicle has (2) M8 threaded inserts in the rocker panel at the front of the cab, **(Photo 4)**. Attach the driver side front bracket to the rocker panel using (2) M8 hex bolts, (2) 5/16" lock washers and (2) 5/16" flat washers, **(Photo 5)**. Leave the bolts loose for final adjustment.



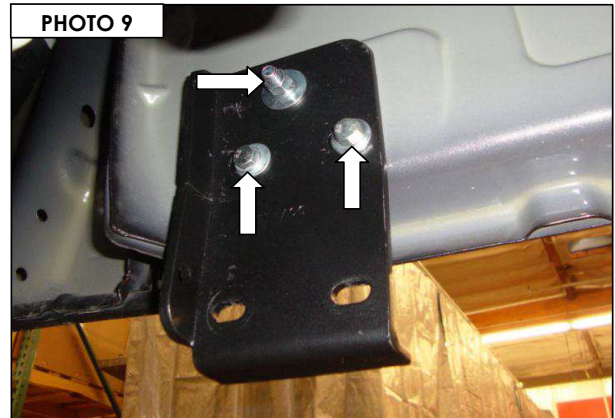
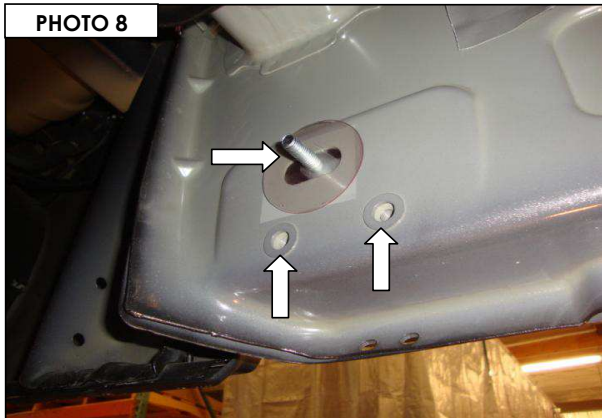
Center & Rear Bracket

8. If the vehicle has hexagon holes in the rocker panel at the center and rear of the cab, remove the tape covering the obround hole in the rocker panel, and install (1) 3/8" T-Plate in the rocker panel and install (1) vinyl gasket over the threads to prevent the T-Plate from falling into the body, **(Photo 6)**. Align the nuts welded to the T-Plate with the hexagon holes in the rocker panel and attach one of the (center/rear) brackets to the rocker panel using the T-Plate, (2) 3/8" X 1 1/4" hex bolts, (3) 3/8" flat washers, (3) 3/8" lock washers and (1) 3/8" hex nut, **(Photo 7)**. Leave the nut and bolts loose for final adjustment.

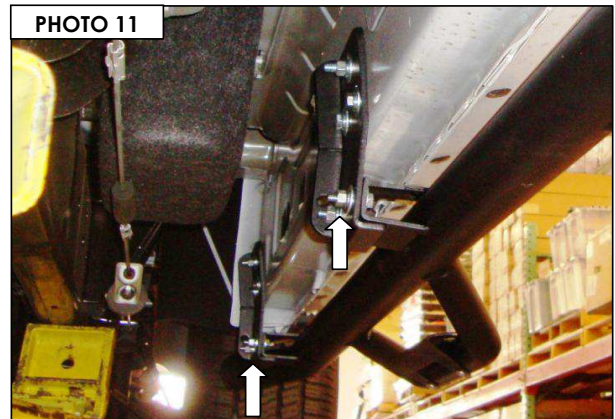
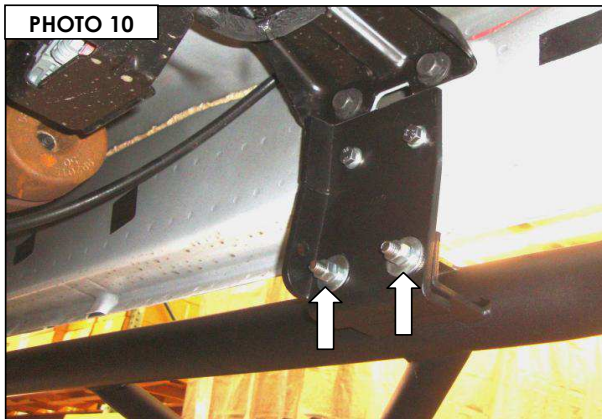


Center & Rear Bracket

9. If the vehicle has M8 threaded inserts in the rocker panel at the center and rear of the cab, remove the tape covering the obround hole in the rocker panel, and install (1) 3/8" T-Plate in the oblong hole in the rocker panel and install (1) vinyl gasket over the threads to prevent the T-Plate from falling into the body, **(Photo 8)**. Rotate the T-Plate so the nuts welded to the T-Plate clear the M8 threaded inserts in the rocker panel then attach one of the (center/rear) brackets to the rocker panel using the T-Plate (1) 3/8" flat washer, (1) 3/8" lock washer, (1) 3/8" hex nut, and (2) M8 hex bolts, (2) 5/16" lock washers and (2) 5/16" flat washers, **(Photo 9)**. Leave the nut and bolts loose for final adjustment.



10. Attach the driver side step to each bracket using (2) 3/8" x 1 1/4" hex bolts, (4) 3/8" flat washers, (2) 3/8" lock washers and (2) 3/8" hex nuts, **(Photo 10 & 11)**.



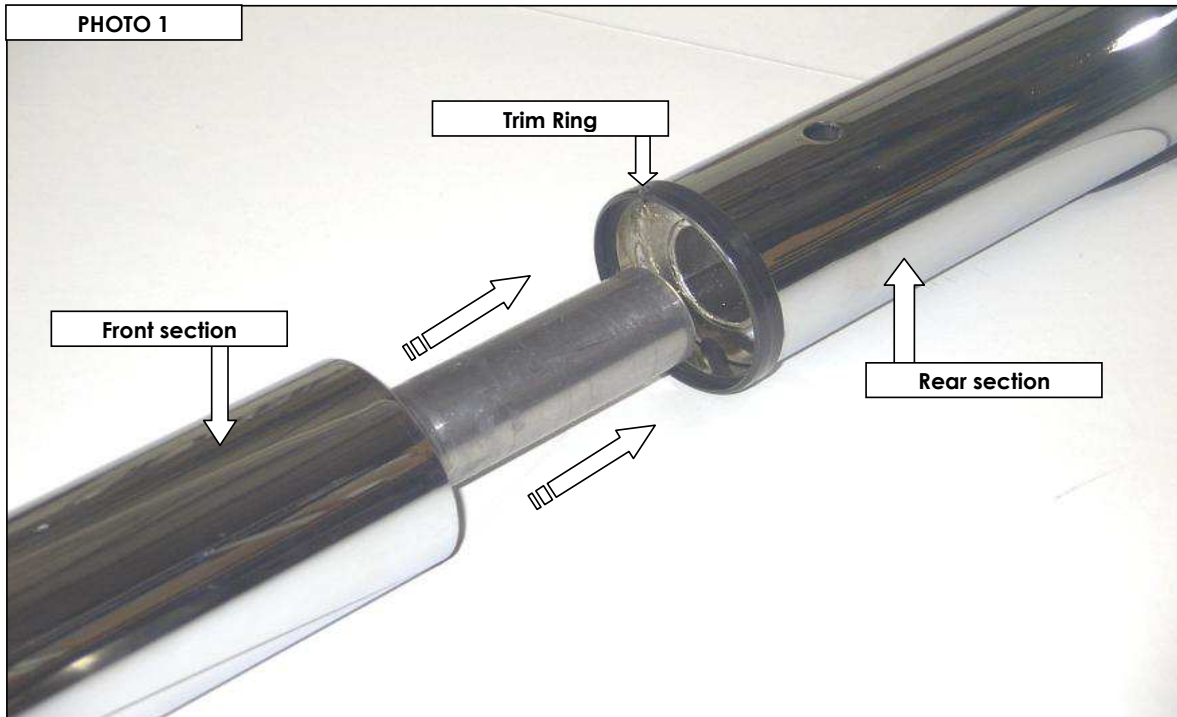
11. Align the side step with the vehicle and tighten all bracket and side step nuts and bolts. Repeat the installation steps to install the passenger side brackets and running board.

12. Remember to check and repair the hardware periodically.

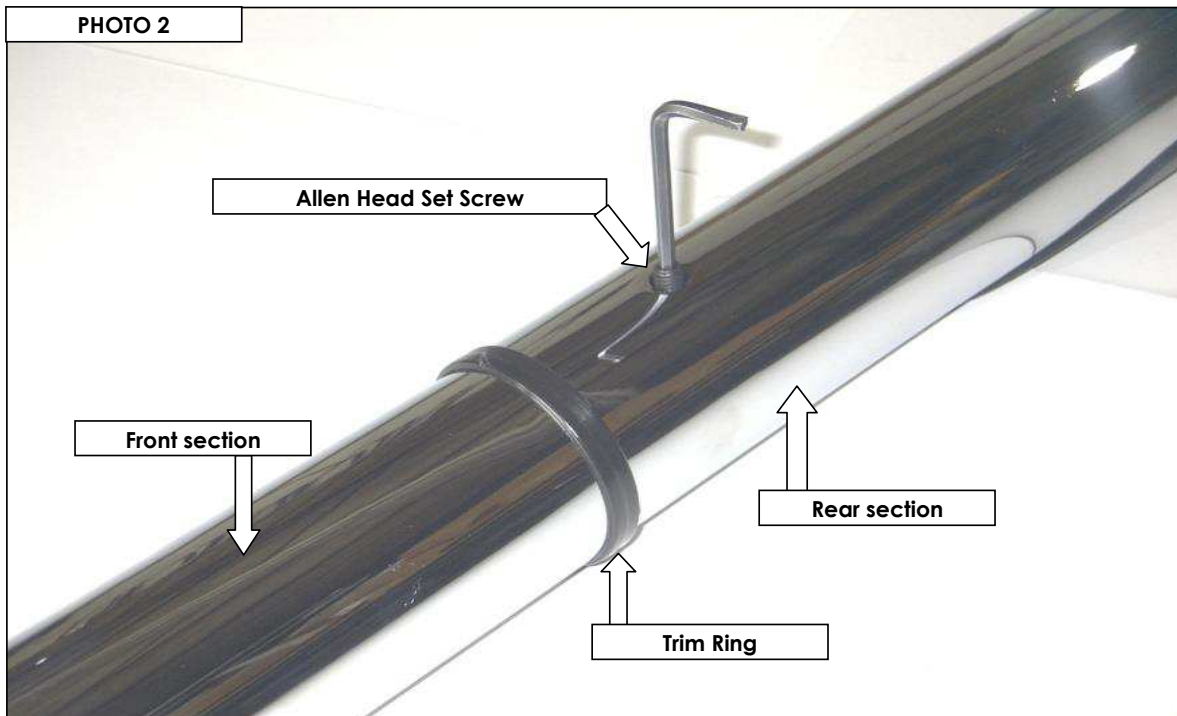


Side Step Assembly

Step-1 Lay out the front and rear side step sections on a protective surface with the step pads down and install the plastic trim ring (lip over the edge) of the rear section, (**Photo 1**).



Step-2 Insert the male end of the side step front section into the female end of the side step rear section, and position the front side step section snug against the trim ring (lip over the edge). Align the front and rear side step sections, and secure the assembly using (1) 3/8" Allen head set screw, (**Photo 2**).



Step-3 Install the plastic plug in the set screw access hole to conceal the set screw.